

TOPCon

DHN-54X16(BW)

0~+5W

420~435 W



Higher Power Generation Efficiency

N-type TOPCon module could increase power generation by 3%+ per watt compared with PERC module



Lower Degradation Rate, PID Resistance

First-year $\leq 1\%$, 2-30 year $\leq 0.4\%$; excellent Anti-PID performance



Lower Temp. Coefficient

More power generation under high-temperature



Better Dim Light Performance

Excellent performance under dim light

Comprehensive Products & System Certificates

IEC 61215 / IEC 61730 / CE / INMETRO

ISO 45001: 2018/International standards for occupational health & safety

ISO 14001: 2015/Standards for environmental management system

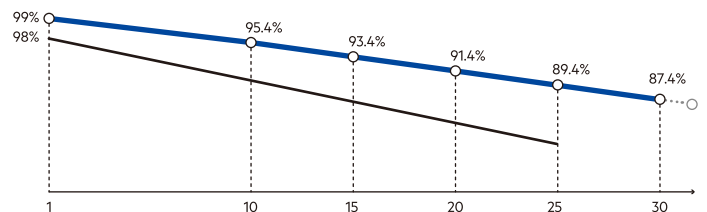
ISO 9001: 2015/Quality management system



Quality Guarantee

12-Year Material & Technology Warranty

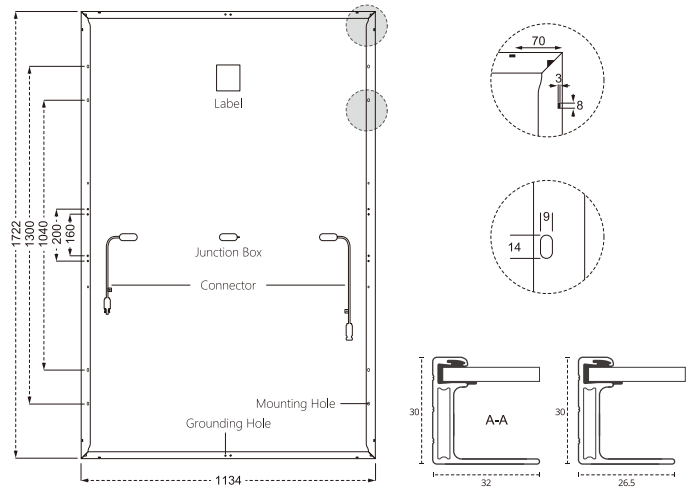
30-Year Linear Power Output Warranty



▲ DAH Solar Linear power output guarantee ▲ Standard Linear power output guarantee

Mechanical Specification

Cable	4.0mm ² , 300/200mm in Length
(Including Connector)	Length can be Customized
No.of Cells	108 (6×18)
Glass	3.2mm High Transmission, Antireflection Coating
Junction Box	IP68, 3 Bypass Diodes
Connector	MC4 Compatible
Weight	22kg
Cells Type	N-type 182×91mm
Dimension (L×W×T)	1722×1134×30mm
Packing	36pcs/Pallet, 936pcs/40HQ



STC-Electrical Characteristics

Module Type	DHN-54X16(BW)			
Maximum Power (Pmax/W)	420	425	430	435
Open-circuit Voltage (Voc/V)	37.6	37.8	38.0	38.2
Maximum Power Voltage (Vmp/V)	32.1	32.3	32.5	32.7
Short-circuit Current (Isc/A)	13.72	13.78	13.84	13.90
Maximum Power Current (Imp/A)	13.08	13.16	13.23	13.30
Module Efficiency (%)	21.51	21.76	22.02	22.28

Standard Test Environment : Irradiance 1000W/m² , Cell temperature 25°C, Spectrum AM1.5

NOCT—Electrical Characteristics

Maximum Power (Pmax/W)	316	320	323	327
Open-circuit Voltage (Voc/V)	35.72	35.91	36.10	36.29
Maximum Power Voltage (Vmp/V)	30.50	30.69	30.88	31.07
Short-circuit Current (Isc/A)	11.08	11.13	11.17	11.22
Maximum Power Current (Imp/A)	10.36	10.42	10.47	10.53

Standard Test Environment : Irradiance 800W/m², Ambient temperature 20°C, Spectrum AM1.5, Wind speed 1m/s

Operating Parameters

Maximum System Voltage	1500V DC
Power Tolerance	0~+5W
Operating Temperature	-40 ~ +85°C
Maximum Series Fuse Rating	25A
Nominal Operating Cell Temperature	45°C±2°C
Application Level	Class A

Temperature Coefficient

Temperature Coefficient of Isc (α Isc)	0.046%/°C
Temperature Coefficient of Voc (β Voc)	-0.25%/°C
Temperature Coefficient of Pmax (γ Pmp)	-0.30%/°C

Mechanical Loads

Snow load, frontside / Wind load, backside	5400Pa/2400Pa
--	---------------

I-V Curve

